



Clamping levers 3

Clamping levers

Steel / Stainless Steel

SPECIFICATION

Types

- Type **K***: Straight lever with plain bore H7 (only $l_1 = 50$ to 160)
- Type **M***: Straight lever with threaded bore H7 (only $l_1 = 50$ to 160)
- Type **L**: Angled lever with plain bore H7
- Type **N**: Angled lever with threaded bore

* only Steel version.

Version in Steel

- turned
- blackened

Version in Stainless Steel

Stainless Steel AISI 303 NI
matt shot-blasted

INFORMATION

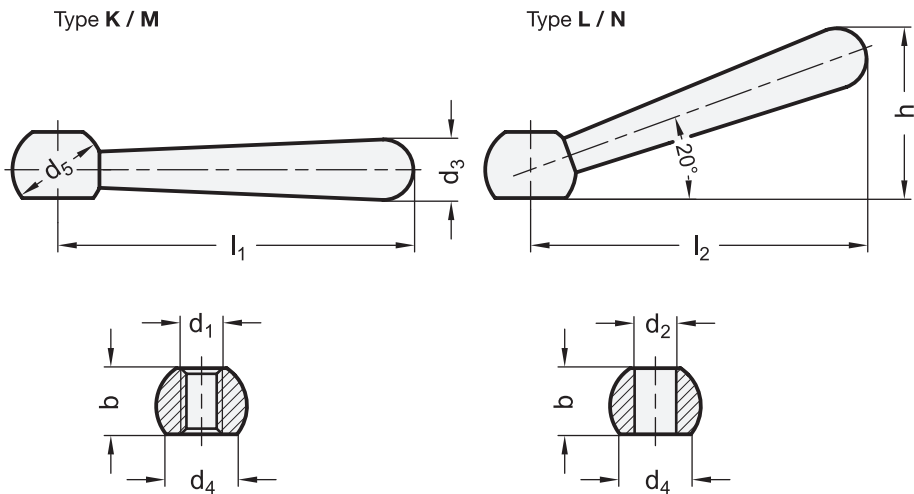
The official DIN standard sheet specifies additional sizes
40 - M5 / B5.

ON REQUEST

Stainless Steel-Lever handles with straight lever

TECHNICAL INFORMATION

- ISO Fundamental Tolerances (see page A21)
- Stainless Steel characteristics (see page A26)





3

Clamping levers

DIN 99

Description	l1	d1	d2 H7	b	d3	d4 ≈	d5 -0.2	h ≈	l2 ≈	⚖
DIN 99-50-B6-K	50	-	B 6	9.5	8	7.5	12	-	-	17
DIN 99-63-B8-K	63	-	B 8	12	10	11	16	-	-	36
DIN 99-80-B10-K	80	-	B 10	14.5	13	15	20	-	-	74
DIN 99-100-B12-K	100	-	B 12	18.5	16	19	25	-	-	139
DIN 99-125-B16-K	125	-	B 16	24	20	23.5	32	-	-	283
DIN 99-160-B20-K	160	-	B 20	30	25	29.5	40	-	-	545
DIN 99-50-B6-L	-	-	B 6	9.5	8	7.5	12	24	48	17
DIN 99-63-B8-L	-	-	B 8	12	10	11	16	30	60	36
DIN 99-80-B10-L	-	-	B 10	14.5	13	15	20	38	76	74
DIN 99-100-B12-L	-	-	B 12	18.5	16	19	25	47	95	139
DIN 99-125-B16-L	-	-	B 16	24	20	23.5	32	59.5	119	283
DIN 99-160-B20-L	-	-	B 20	30	25	29.5	40	76	152	545
DIN 99-200-B24-L	-	-	B 24	40	32	33	50	97	190	1128
DIN 99-50-M6-M	50	M 6	-	9.5	8	7.5	12	-	-	17
DIN 99-63-M8-M	63	M 8	-	12	10	11	16	-	-	37
DIN 99-80-M10-M	80	M 10	-	14.5	13	15	20	-	-	73
DIN 99-100-M12-M	100	M 12	-	18.5	16	19	25	-	-	141
DIN 99-125-M16-M	125	M 16	-	24	20	23.5	32	-	-	287
DIN 99-160-M20-M	160	M 20	-	30	25	29.5	40	-	-	569
DIN 99-50-M6-N	-	M 6	-	9.5	8	7.5	12	24	48	17
DIN 99-63-M8-N	-	M 8	-	12	10	11	16	30	60	37
DIN 99-80-M10-N	-	M 10	-	14.5	13	15	20	38	76	73
DIN 99-100-M12-N	-	M 12	-	18.5	16	19	25	47	95	141
DIN 99-125-M16-N	-	M 16	-	24	20	23.5	32	59.5	119	280
DIN 99-160-M20-N	-	M 20	-	30	25	29.5	40	76	152	569
DIN 99-200-M24-N	-	M 24	-	40	32	33	50	97	190	1116

DIN 99-NI

STAINLESS STEEL

Description	l1	d1	d2 H7	b	d3	d4 ≈	d5 -0.2	h ≈	l2 ≈	⚖
DIN 99-63-B8-L-NI	63	-	B 8	12	10	11	16	30.5	60	36
DIN 99-80-B10-L-NI	80	-	B 10	14.5	13	15	20	38	76	77
DIN 99-100-B12-L-NI	100	-	B 12	18.5	16	19	25	47	95	139
DIN 99-50-M6-N-NI	50	M 6	-	9.5	8	7.5	12	24	48	17
DIN 99-63-M8-N-NI	63	M 8	-	12	10	11	16	30.5	60	37
DIN 99-80-M10-N-NI	80	M 10	-	14.5	13	15	20	38	76	73
DIN 99-100-M12-N-NI	100	M 12	-	18.5	16	19	25	47	95	130
DIN 99-125-M16-N-NI	125	M 16	-	24	20	23.5	32	59.5	119	287